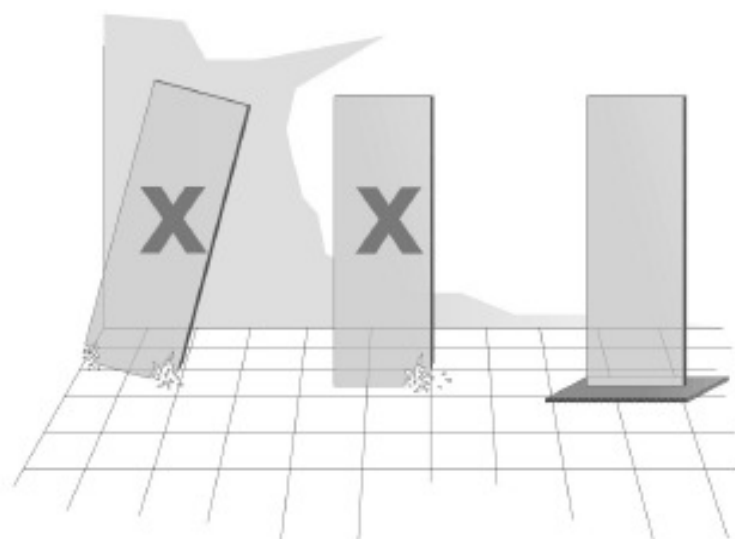


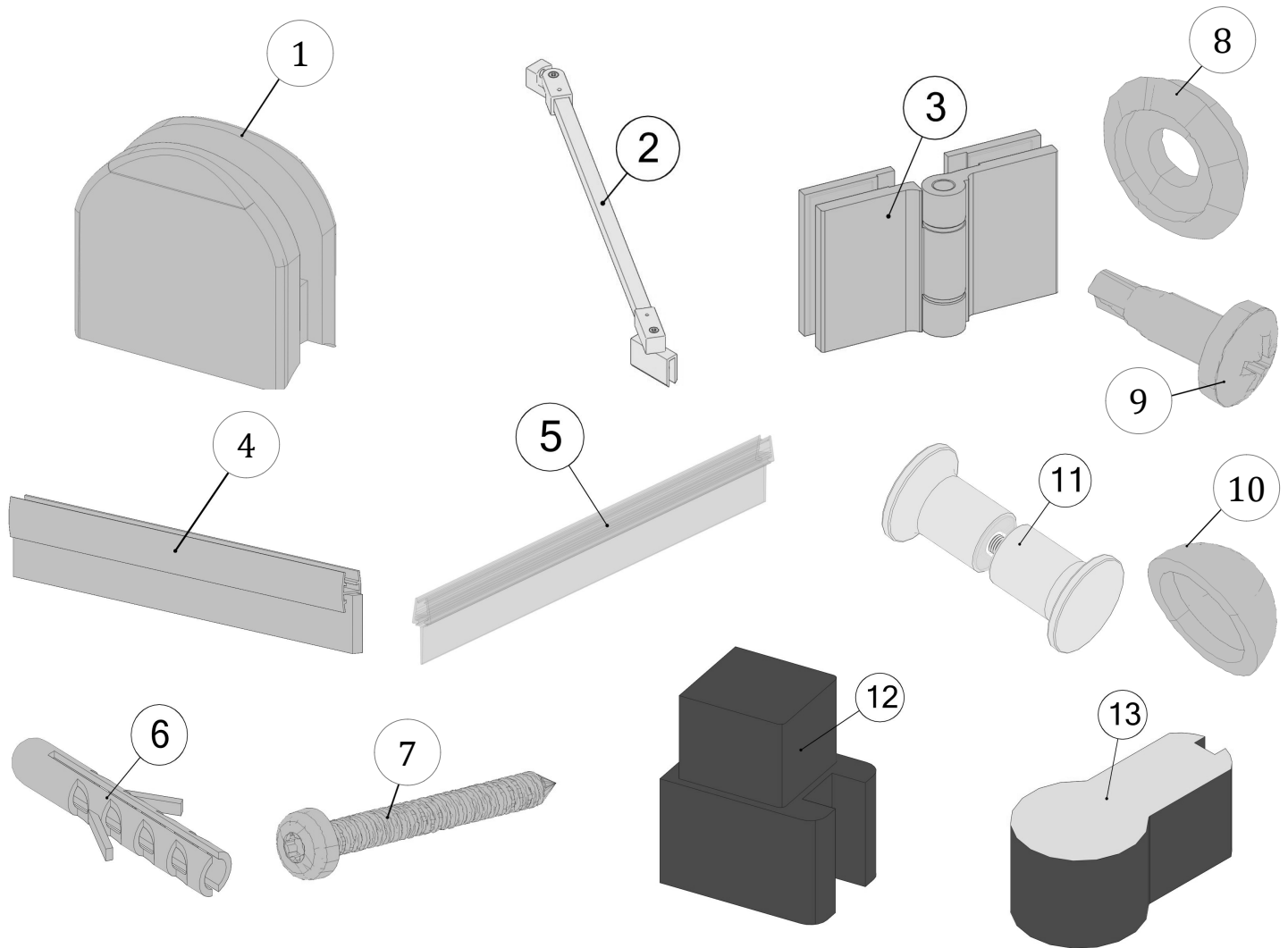
HIETAKARI

Express

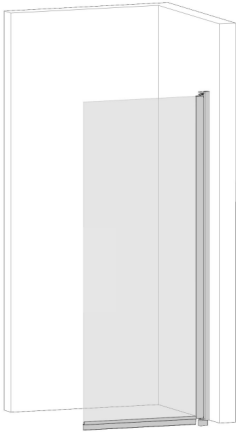


[ ]811 [ ]812 [ ]813 [ ]822

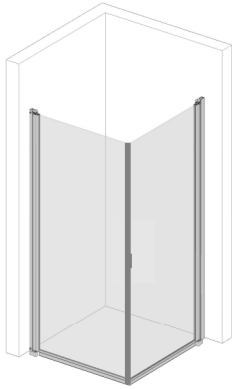




<b>PART</b>	<b>811</b>	<b>812/822</b>	<b>813</b>
1	x 1		
2	x 1		
3			x 2
4	x1		
5		x 1	x 2
6	x 5	x 4	x 4
7	x 5	x 4	x 4
8	x 4	x 4	x 4
9	x 4	x 4	x 4
10	x 4	x 4	x 4
11		x1	x1
12	x1		
13		x1	x1

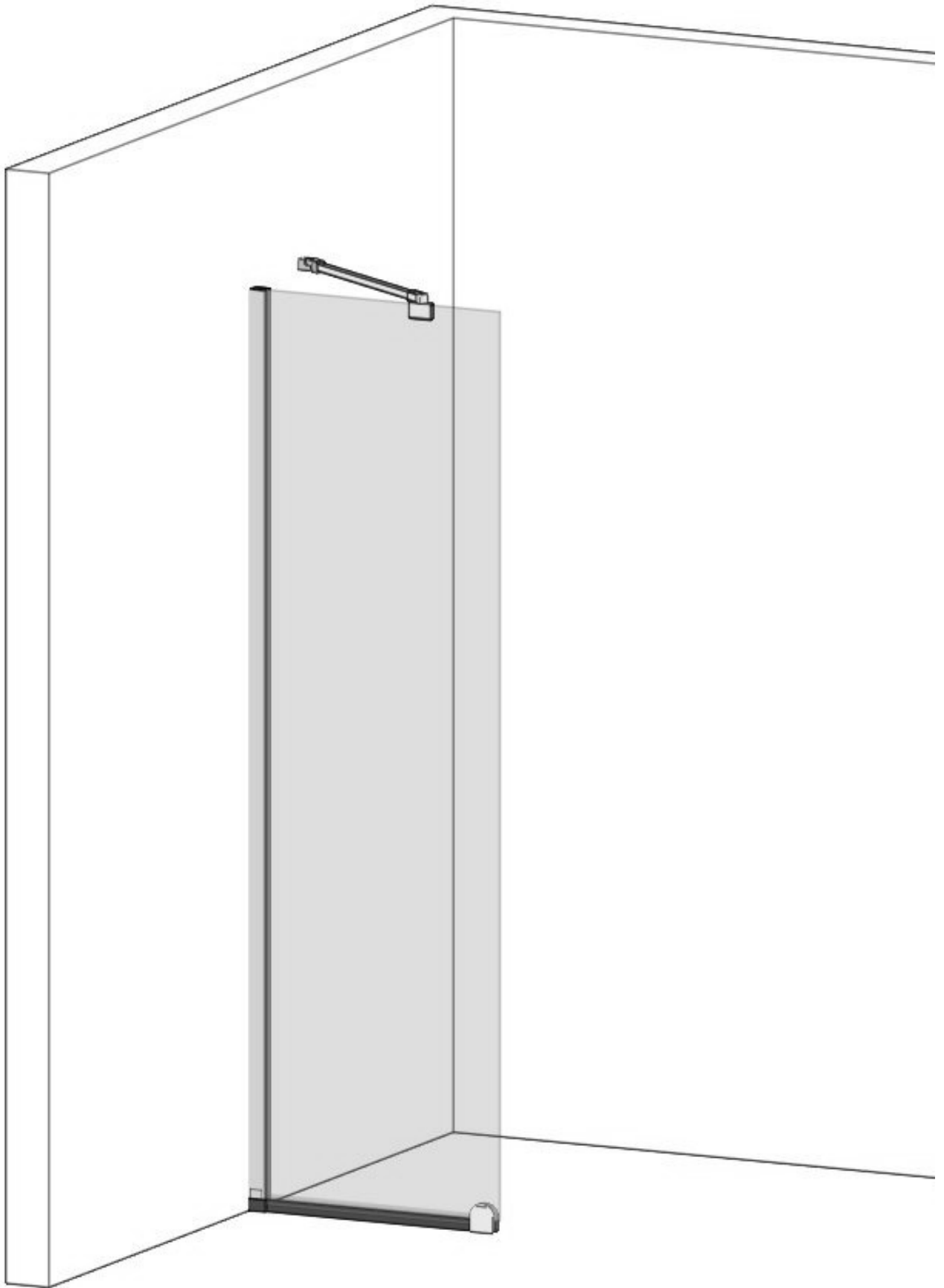


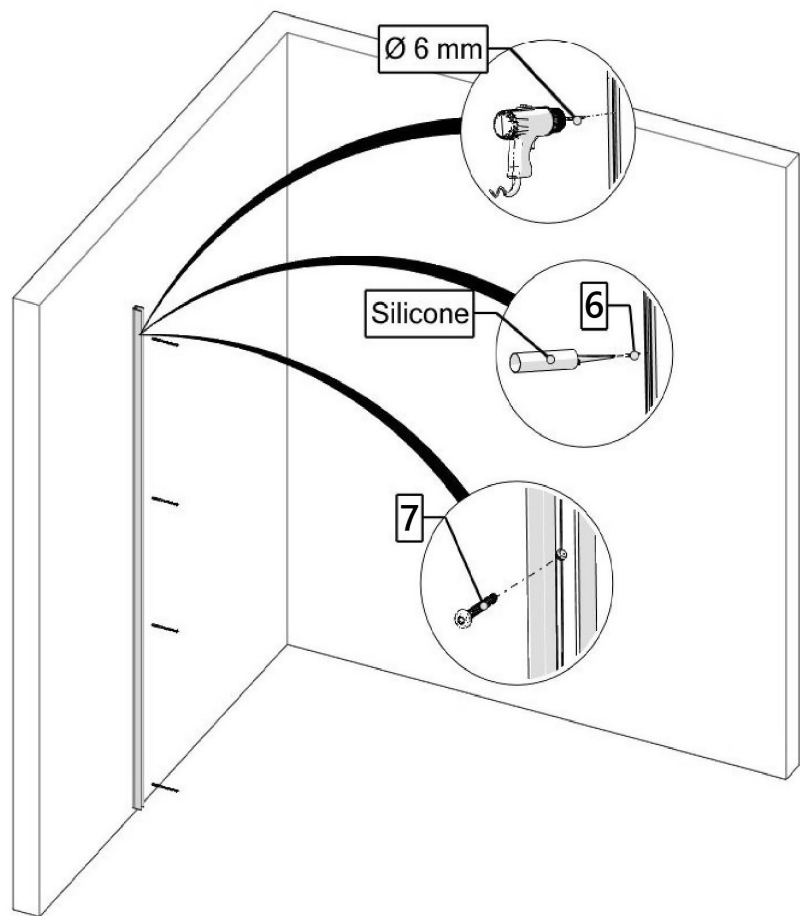
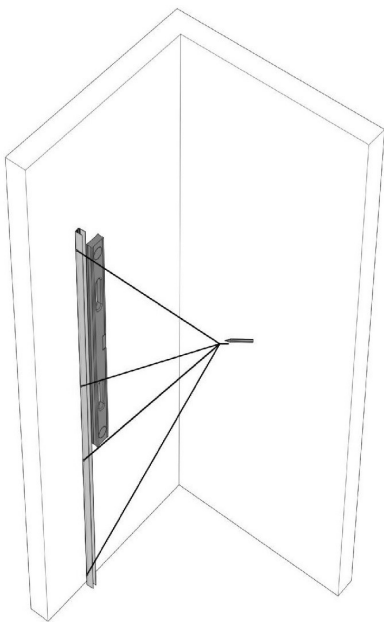
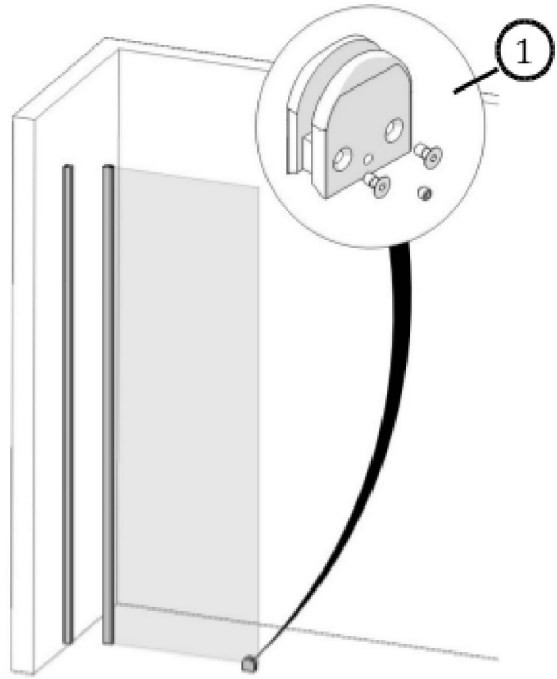
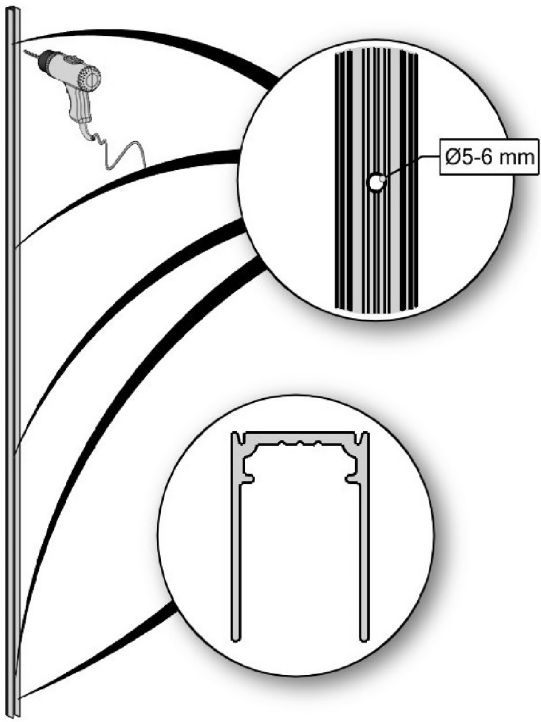
EXPRESS 811	4
EXPRESS 812/822	8
EXPRESS 813	11

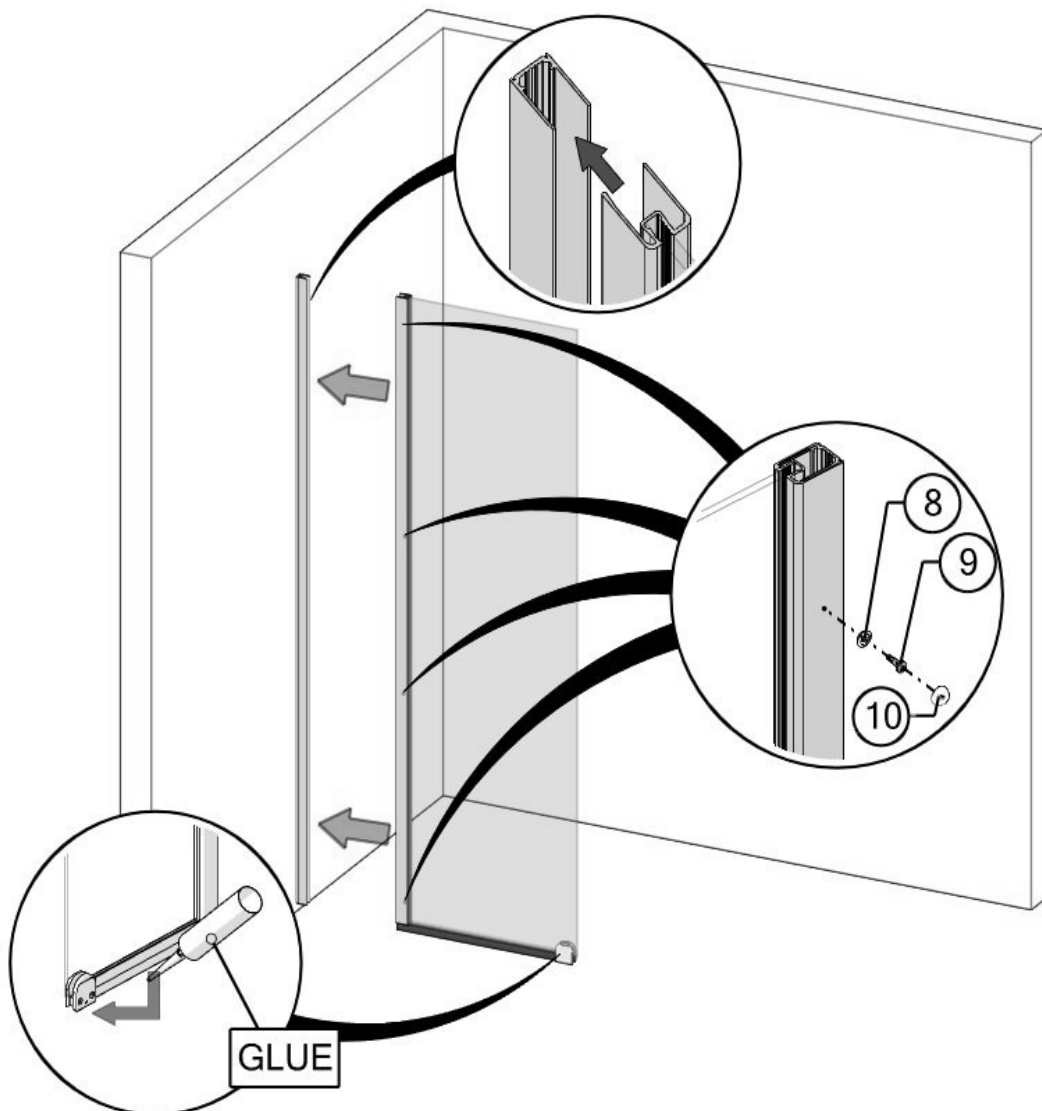
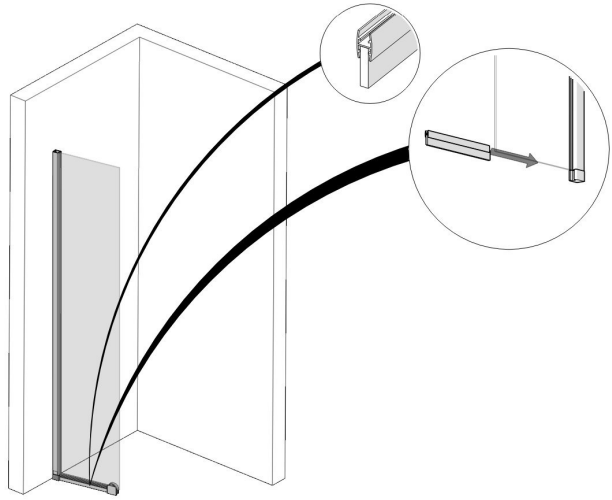
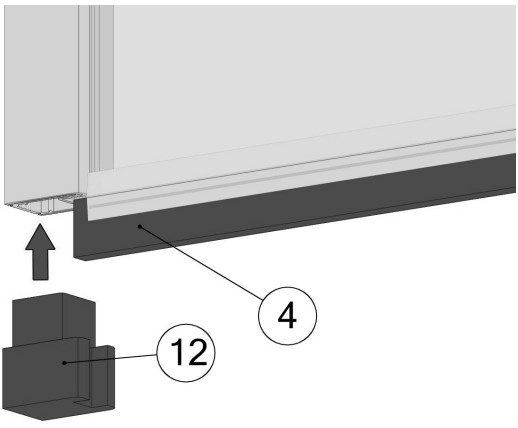


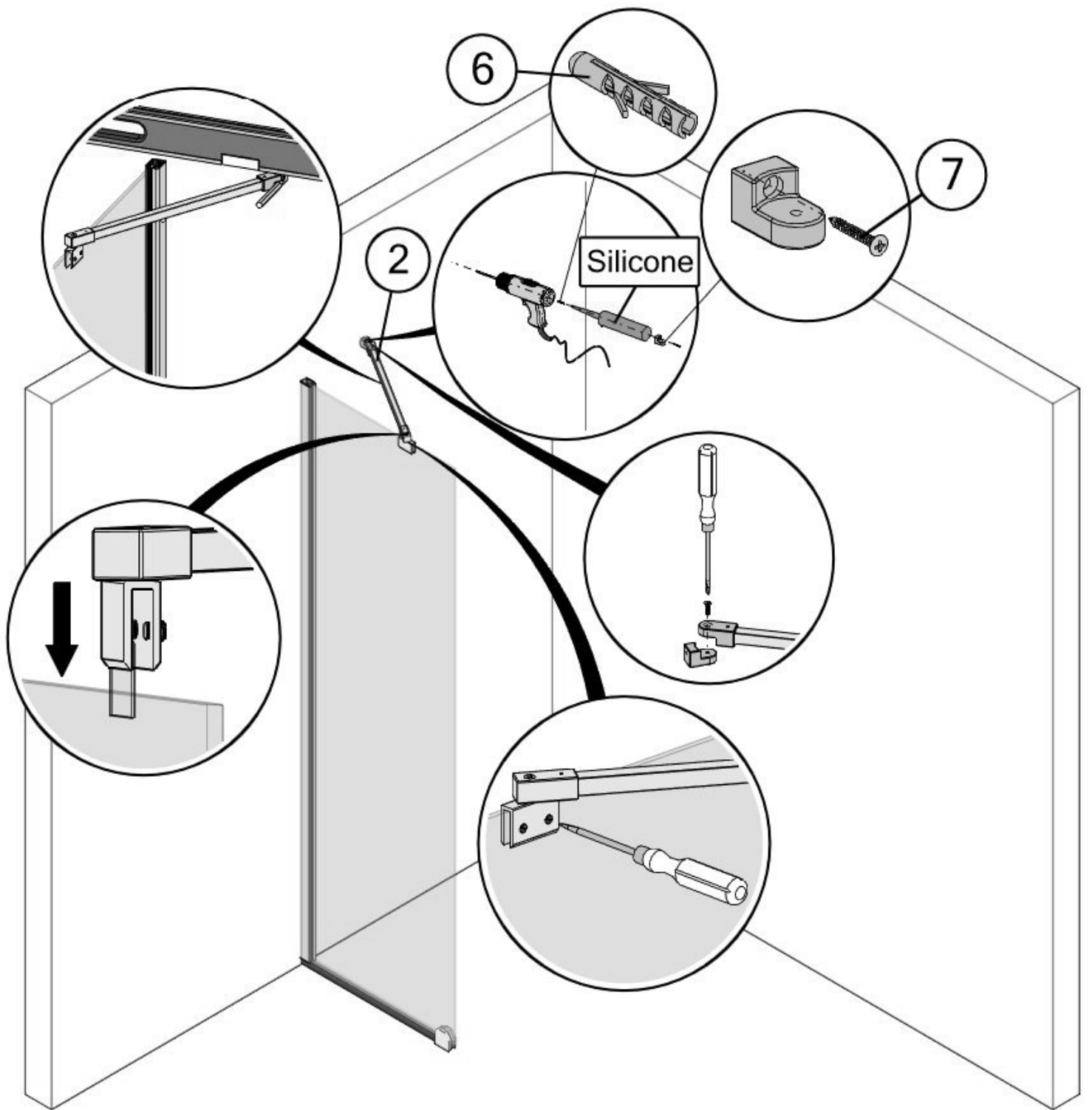
EXPRESS 8XX x 8XX	15
-------------------	----

**811**

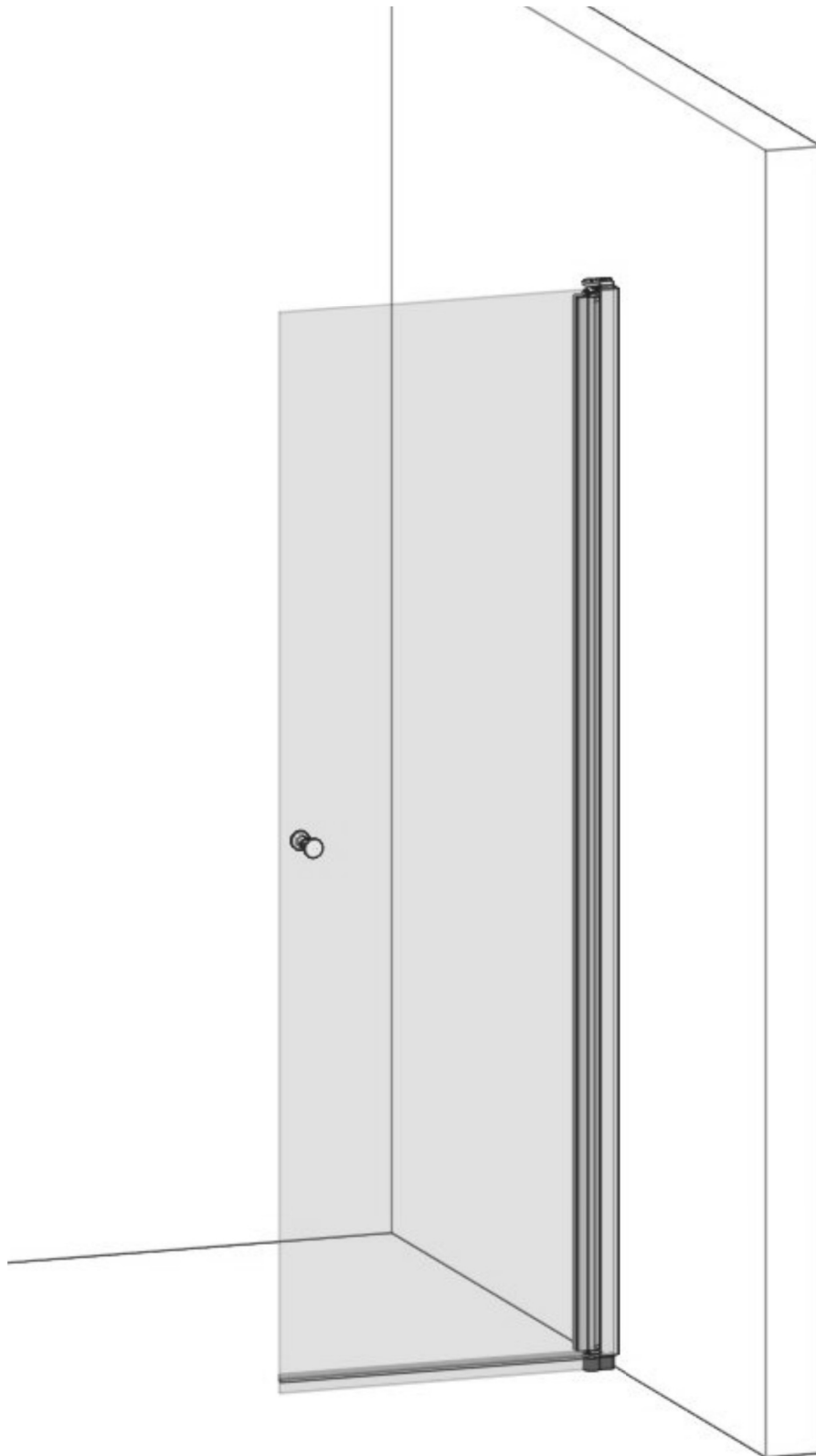




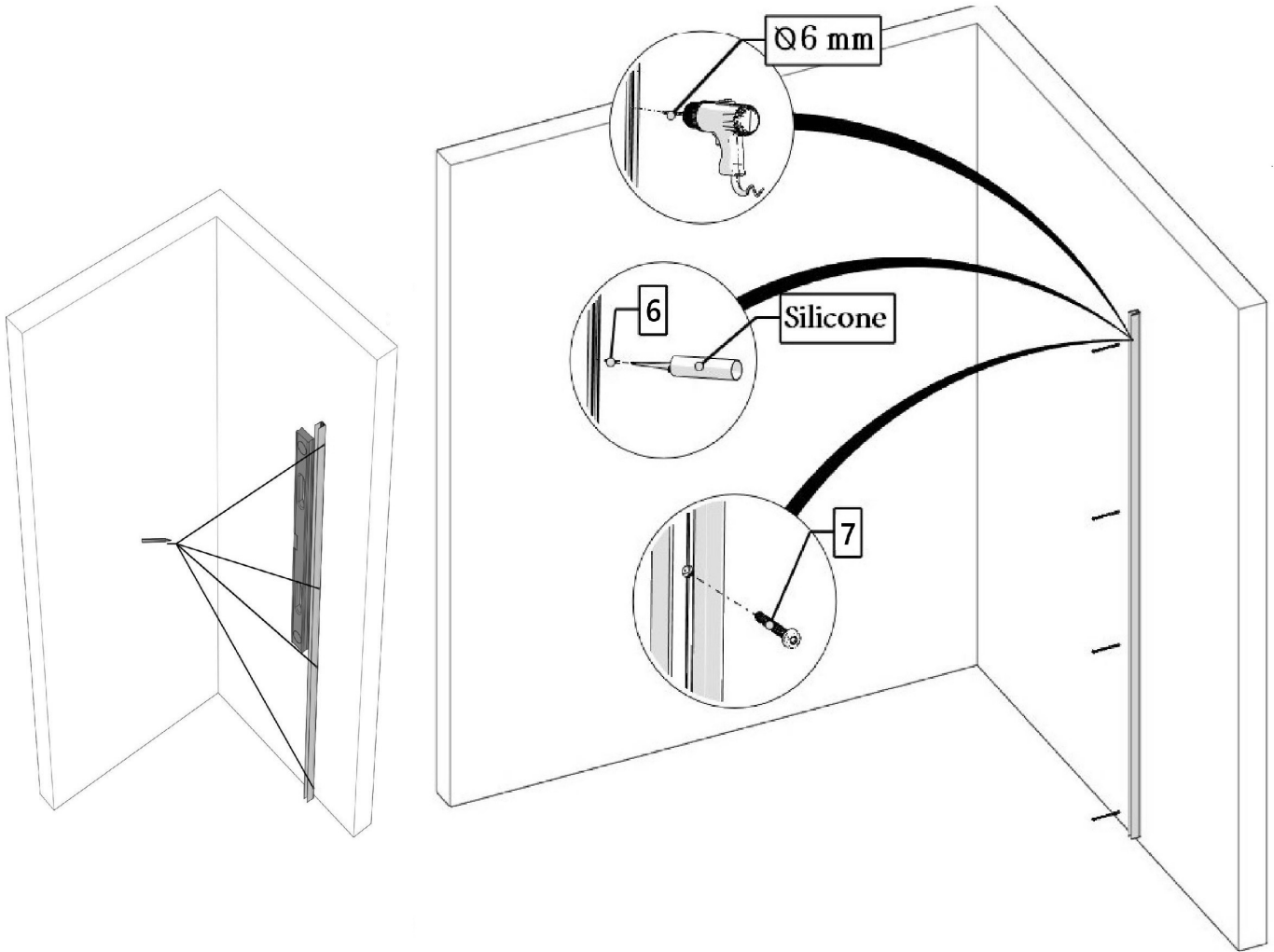
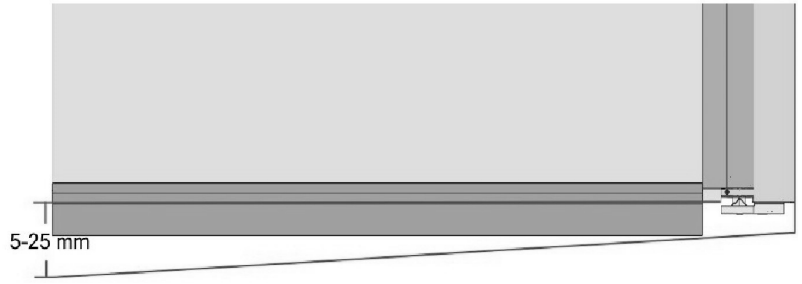
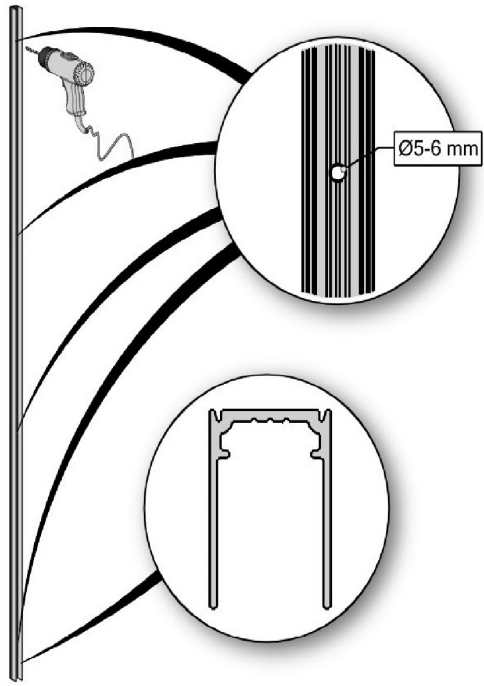


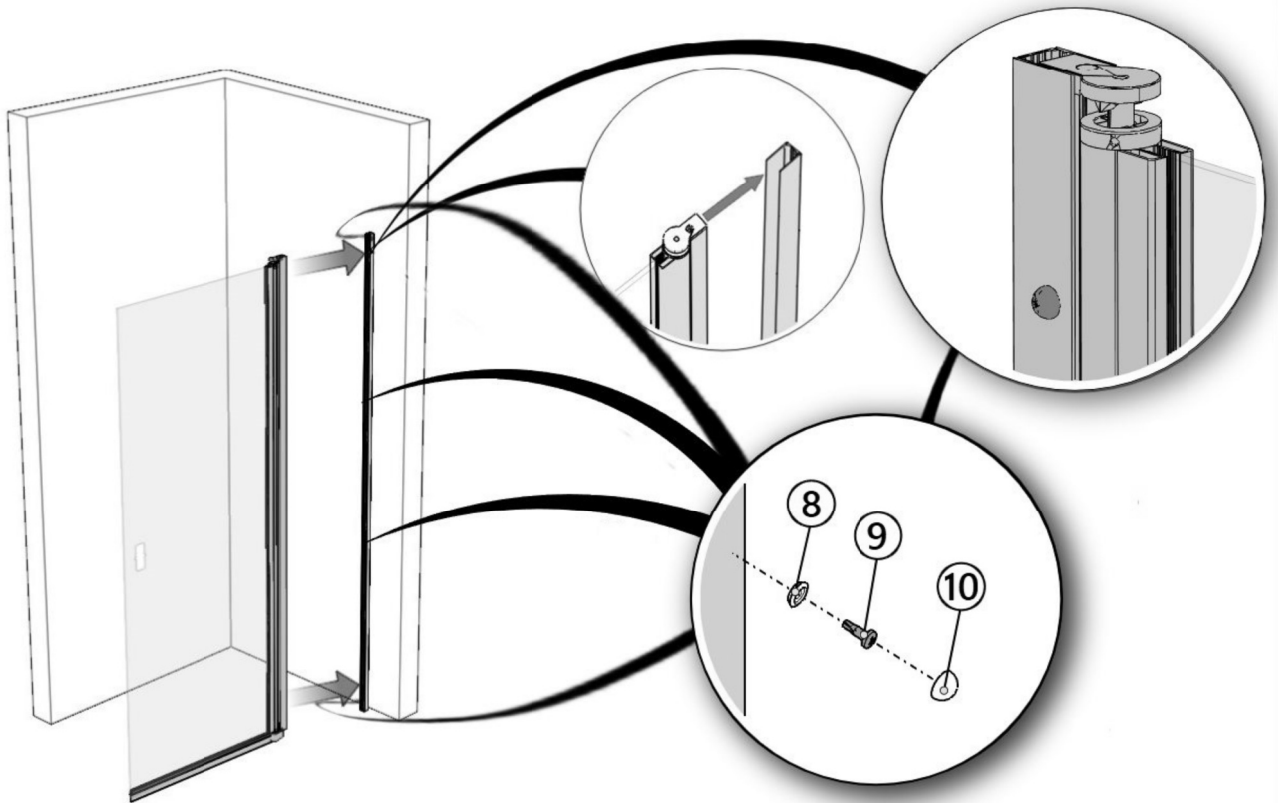
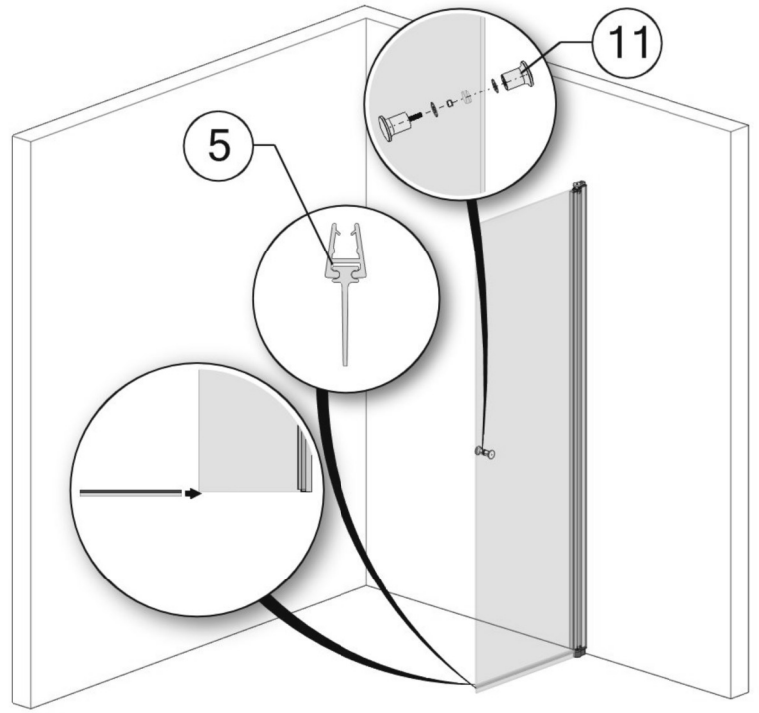
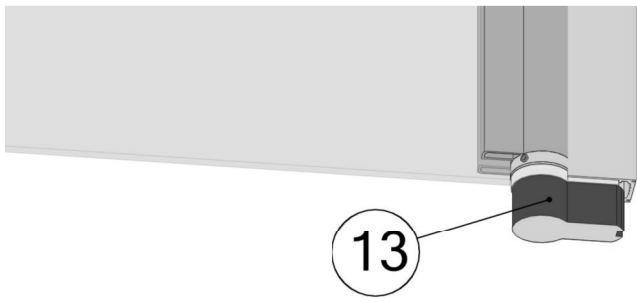


**812/822**

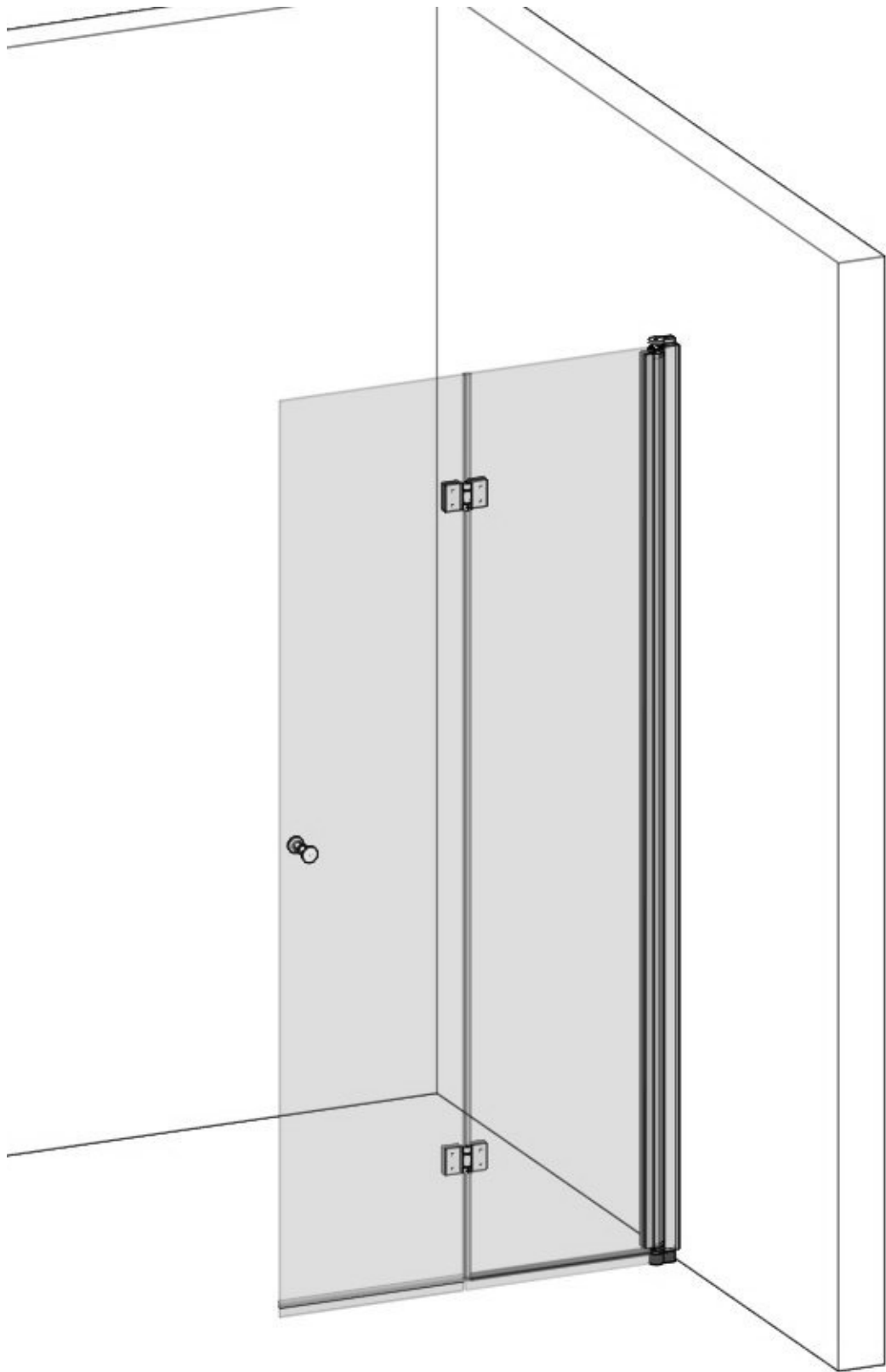


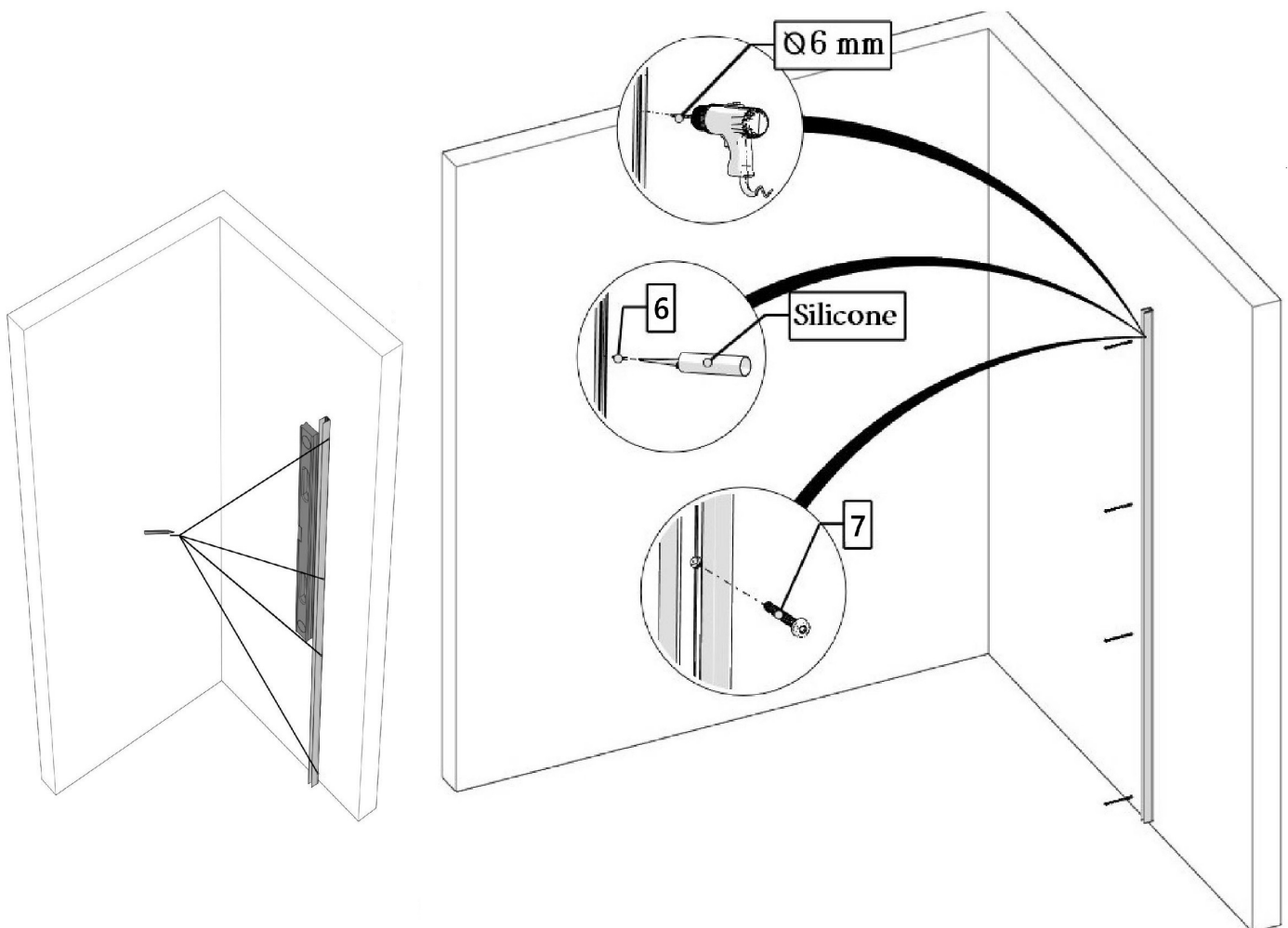
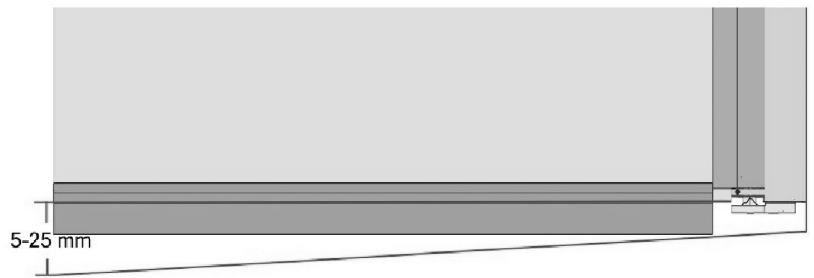
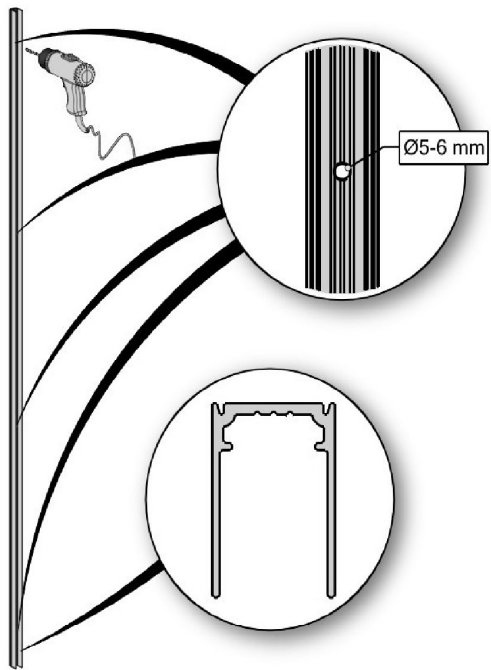


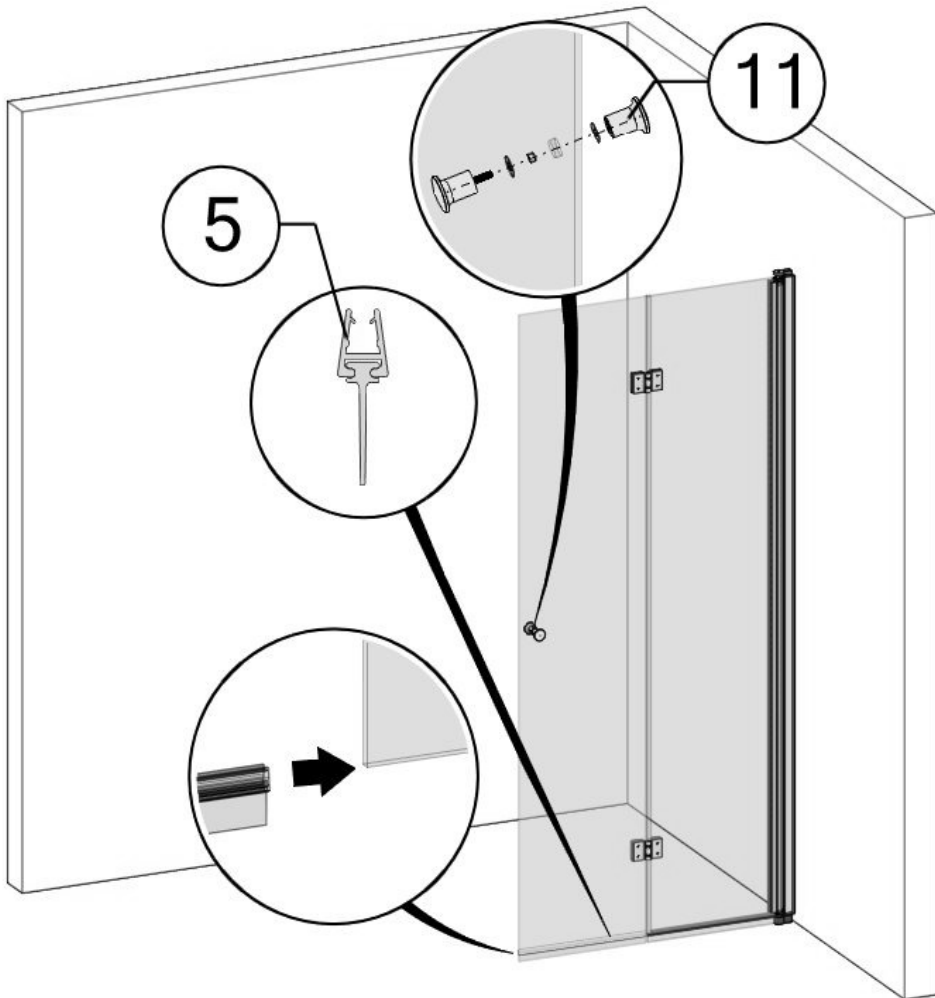
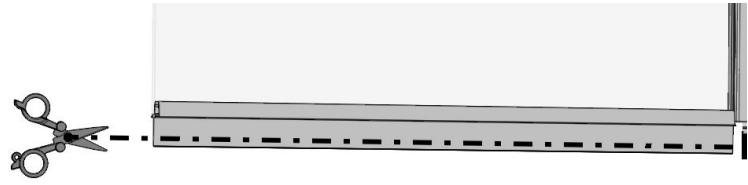
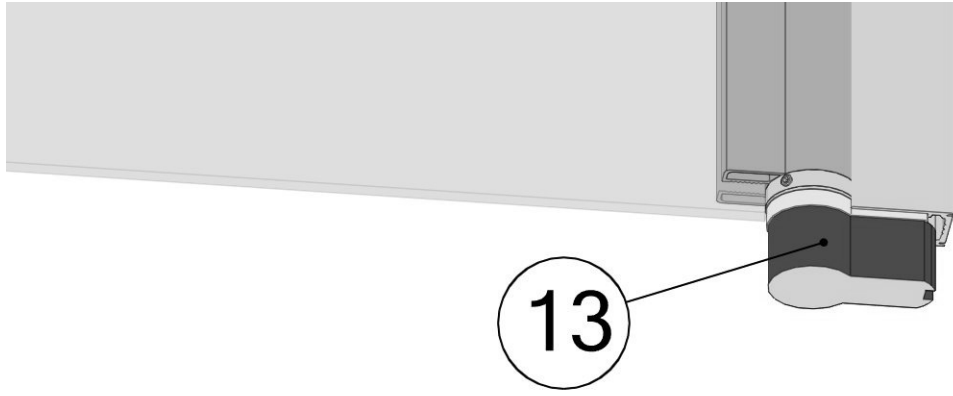


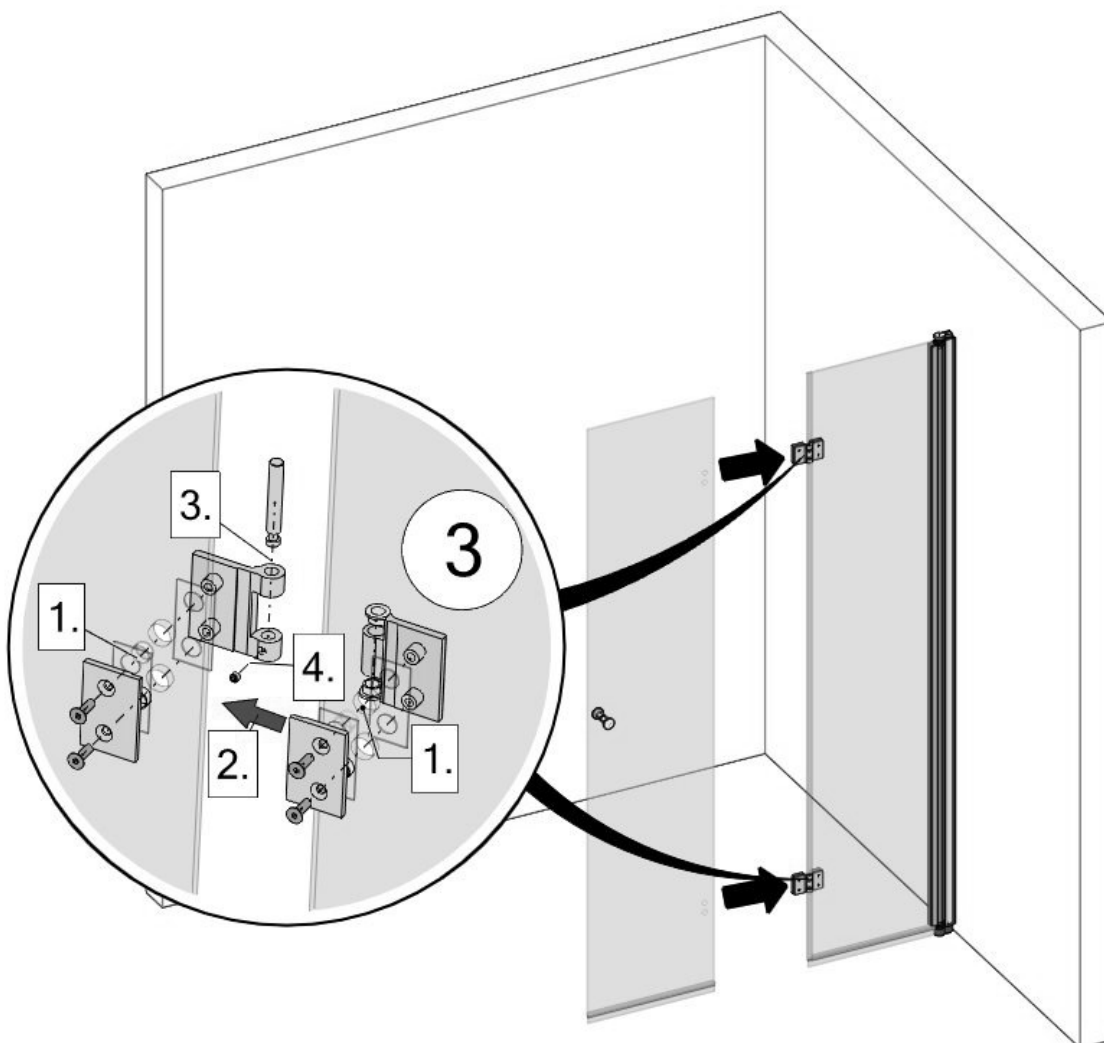
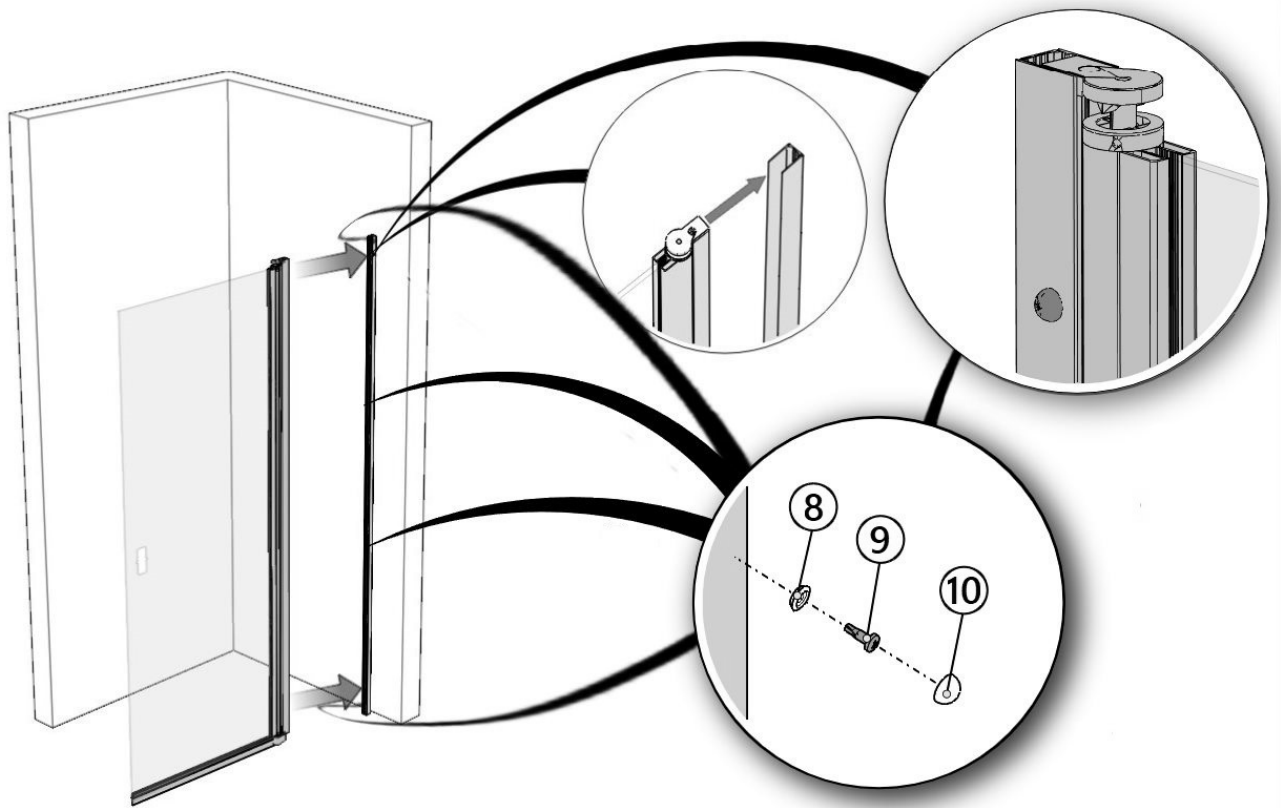


813

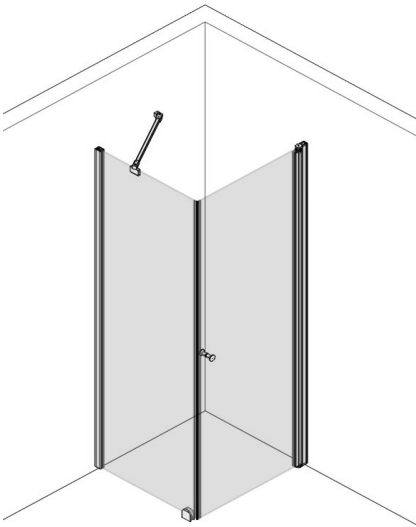




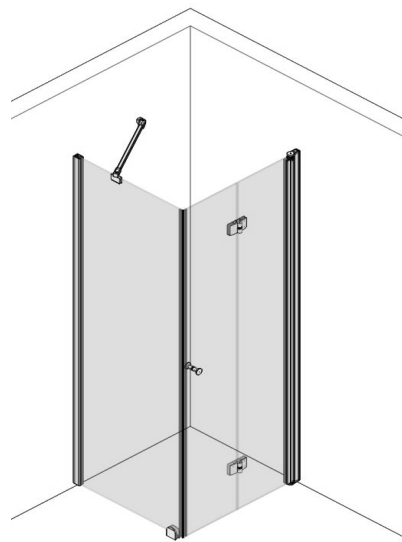




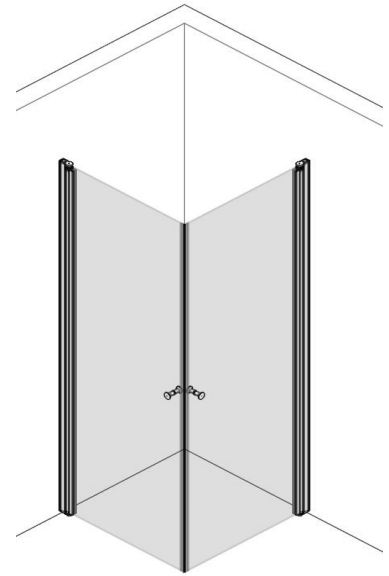
# 8XX x 8XX



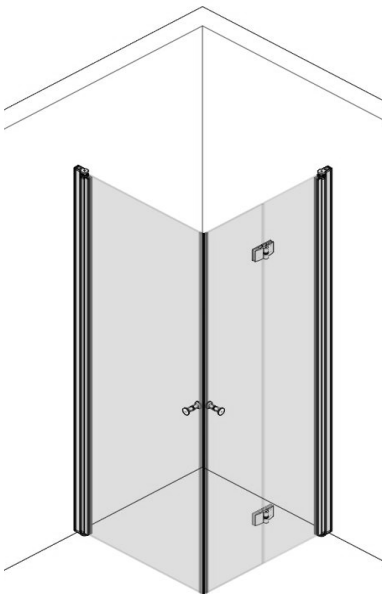
811 x 812



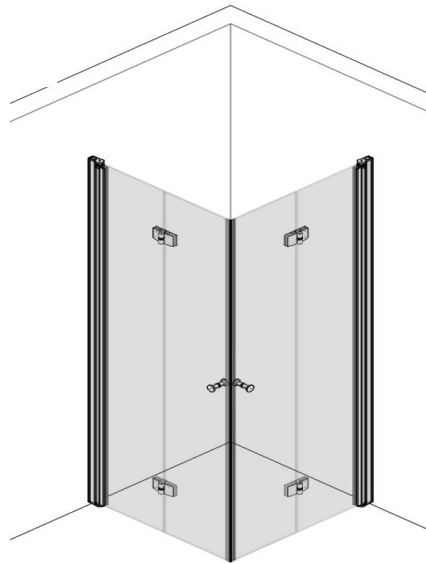
811 x 813



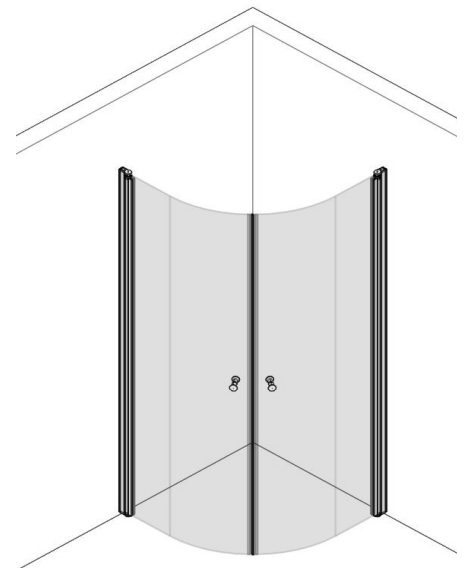
812 x 812



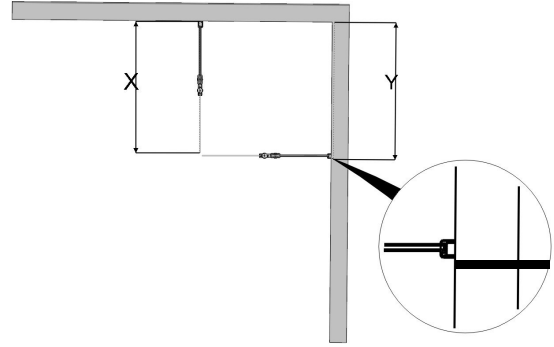
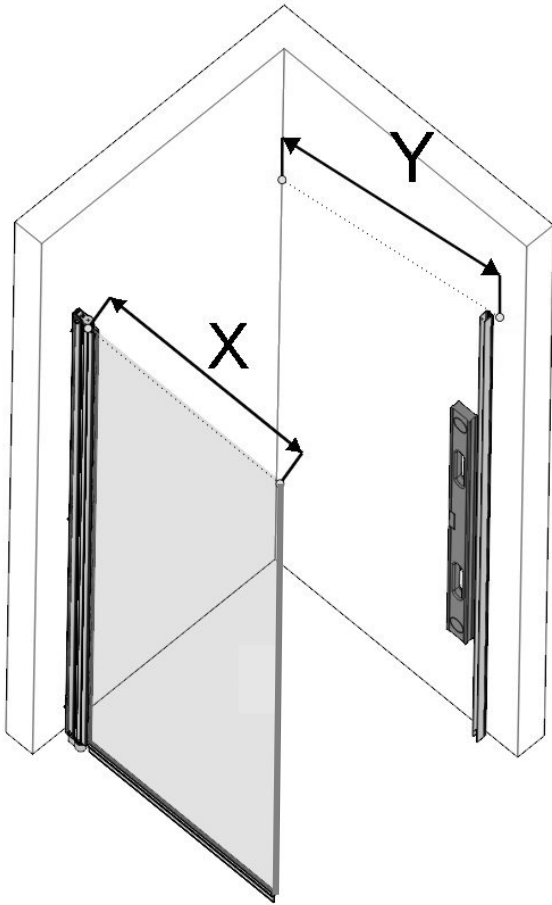
812 x 813



813 x 813



822x822



	<b>X, mm</b>	<b>Y, mm</b>		<b>X, mm</b>	<b>Y, mm</b>
<b>811</b>	629 729 829	652-672 752-772 852-872	<b>812</b>	679 779 879	702-717 802-817 902-917
<b>813</b>	358+308 408+358 458+408	696-711 796-811 896-911	<b>822</b>	638 738	800-815 900-915